

Introduction to 6811 Programming

Fred G. Martin*

July 25, 1994

1 Bits and Bytes

Most humans, having ten fingers, think in decimal numbers. In computers, information is represented with voltages, and it is most convenient for the voltage levels to represent only two states: a binary one or binary zero. Thus computers process binary digits, or bits.

For convenience, microprocessors group bits together into words. The first microprocessor, the Intel 4004, operated on a word composed of four bits. Nowadays, many microprocessors use eight bit words, called *bytes*.

In an eight bit numeral, 256 different states can be represented ($2^8 = 256$). Programmers use these 256 states to represent different things. Some common usages of a byte of data are:

- a natural number from 0 to 255;
- an integer in the range of -128 to 127;
- a character of data (a letter, number, or printable symbol).

*The Media Laboratory at the Massachusetts Institute of Technology, 20 Ames Street Room E15-320, Cambridge, MA 02139. E-mail: fredm@media.mit.edu. This document is Copyright ©1992-94 by Fred G. Martin. It may distributed freely in verbatim form provided that no fee is collected for its distribution (other than reasonable reproduction costs) and this copyright notice is included. An electronic version of this document is available via anonymous FTP from [cherupakha.media.mit.edu](ftp://cherupakha.media.mit.edu) (Internet 18.85.0.47).

When programmers need to represent larger numerals, they group bytes together. A common grouping is two bytes, often called a (16-bit) *word*. A word can have 65536 states, since $2^{16} = 65536$.

Decimal numbers are painful to use when talking about binary information. To make life easier, programmers started to use the base 16 *hexadecimal* (or *hex* for short) numbering system when talking about bits, bytes, and other binary data.

The hex system uses 16 different digits to represent each place value of a numeral. Using hex, one would count as follows: 0, 1, 2, 3, 4, 5, 6, 7, 8, 9, A, B, C, D, E, F, 10 ...etc. The letters A through F are then used to represent the values of (decimal) 10 through 15, respectively. This is wonderful, because a hex digit (of 16 possible states) is equivalent to four bits exactly. Then, a byte can be represented by exactly two hex digits, and a sixteen bit word by four of them.

The following conventions are supported by Motorola's software products for their microprocessors. *Binary* numbers are represented by the prefix `%`. *Hexadecimal* numbers are specified by `$`. *Decimal* numbers don't have a prefix. (These aren't the only conventions that are used in the computer world, but they will be standard throughout these notes and Motorola software.)

Let's examine some of the numeric conversions in Figure 1. Notice that four bits equal one hex digit. This is helpful in converting binary to hex. Notice some entries don't have their decimal values filled in. This is to make the point that it's easy to transcribe between binary and hexadecimal representation, but using decimal is often cumbersome.

It's good to know some general quantities. For example, eight bits, or one byte, is 256 values. Then the largest unsigned integer representable in a byte is 255. The largest integer representable in two bytes is 65535.

A byte can be used to represent one character of information. A standard has been devised for this, called the American Standard Code for Information Interchange standard, or ASCII code¹. ASCII is almost universally accepted for representing the English character set, including upper and lower case letters, numbers, and typical punctuation (like `!@#$%&*()`). An old competing IBM standard, the EBCDIC code, is largely defunct except on some of their mainframes, but modern computer scientists are presently devising a 16-bit international character code.

¹ASCII is pronounced as in "*ass-key*."

binary	decimal	hex
%0000	0	\$0
%0001	1	\$1
%0010	2	\$2
%0011	3	\$3
%0100	4	\$4
%0101	5	\$5
%0110	6	\$6
%0111	7	\$7
%1000	8	\$8
%1001	9	\$9
%1010	10	\$A
%1011	11	\$B
%1100	12	\$C
%1101	13	\$D
%1110	14	\$E
%1111	15	\$F
%10000	16	\$10
%11100011		\$E3
%10011100		\$9C
%11111111	255	\$FF
	256	\$100
	1024	\$400
	65535	\$FFFF

Figure 1: Some Numeric Conversions

In the back of the Motorola 6811 programmer's handbook is a table of the ASCII codes. The most important thing to know is first that it exists, but then some other details. First, notice that it only uses seven of the eight bits in a byte. So, there are actually only 128 ASCII characters, using the values \$00 to \$7F hex.

Printable characters start at \$20 hex (32 decimal). The codes from \$0 to \$1F are used for things like cursor control, line feeds, and the like. Knowing the ASCII characters become important if when doing interactive programming on your 6811, in which case the user might type ASCII information to the 6811 over the serial line, and it would respond in kind. Then, the programmer must deal with the characters as bytes, and the ASCII codes become important.

2 Introduction to the 6811

2.1 Memory Map

Microprocessors store their programs and data in memory. Memory is organized as a contiguous string of *addresses*, or locations. Each memory location contains eight bits of data (this is because the 6811 is an 8-bit micro; other processors can have 16 or 32 bits of data at each memory location).

The entire amount of memory that a processor can access is called its *address space*. The 6811 has an address space of 65,536 memory locations, corresponding exactly to 16 bits of address information. This means that a 16-bit numeral can be used to point at, or address, any of the memory bytes in the address space of the 6811. Thus four hexadecimal digits (4 bits per digit \times 4 digits) can exactly specify one memory location (in which one will find one byte of information).

In general, any area of memory should be equivalent to any other. Because the 6811 is a special-purpose chip, and all of its memory is etched right on the microprocessor chip itself, its designers had to dedicate portions of its memory to particular functions. Figure 2 shows a "memory map" of the 6811 chip. Let's go over this map in detail.

The first area of memory, from address \$00 to \$FF, is the chip's *random access memory*, or RAM. RAM can be both written and erased. It's "volatile," which means that when power is removed from the chip, it loses

Memory Address	Function
\$0000 \$00FF	RAM memory
\$0100 \$0FFF	unused
\$1000 \$103F	special registers
\$1040 \$F7FF	unused
\$F800 \$FFFF	EEPROM memory

Figure 2: Memory Map of the MC68HC811E2FN Microprocessor

its state. RAM is typically used for storing programs and data.

When you program the 6811, however, RAM is not typically used to store programs, because there's only 256 bytes of it (\$00 to \$FF is 256 bytes). It is normally used it to store data and variable values that the program will use while it's running.

Programs will reside normally in the EEPROM, an acronym for *electrically erasable programmable read-only memory*. EEPROM is the culmination of a trend in programmable, yet permanent, memory technology.

Read-only memory (ROM) means what it suggests: that memory can only be read, not written to like RAM. It is programmed at the factory, in mass quantities. This is good for companies that are selling a production version, but to satisfy R & D engineers, PROM (*programmable read-only memory*) was developed.

PROM chips can't be erased, so when in order to make changes to code, the chip is throw away and a new one is used. PROM chips aren't horribly expensive, but this process still imposes a high development cost.

EPROM, or *erasable programmable read only memory*, was the next step. Most EPROM chips are erased by exposing the chip to ultraviolet light for half an hour. This is a vast improvement over PROM, but unless there is a large supply of blank chips for reprogramming, the programmer will have a long wait time between code downloads.

The Motorola MC68HC811E2FN chip has the latest development in ROM technology: EEPROM, which is electrically erasable. This means that the chip can erase its own ROM, and download new data to be written into it. It's the ultimate thing for microprocessor hackers, because new programs can be downloaded into the chip in just ten seconds or so. Also, because it's ROM, when the micro is powered down, its program doesn't go away.

EEPROM isn't a substitute for RAM: writing new data in is extremely slow by RAM standards, and can only be done a finite number of times (about one to ten thousand erase/write cycles, to be exact).

The top end of the 6811's address space is where the EEPROM resides. There's 2K of it (2048 bytes), from addresses \$F800 to \$FFFF. The last hundred bytes or so, from addresses \$FFC0 to \$FFFF, are reserved for special *interrupt vectors*, which is discussed in Section 3.8.

In the middle part of the address space, starting at address \$1000, is an area for special control registers. By storing and reading values from this area of memory, you can control input/output functions like the serial ports, sensors and motor ports, and a host of other 6811 special functions. These features are discussed in detail in Section 4.

2.2 Registers

A microprocessor does its work by moving data from memory into its *internal registers*, processing on it, and then copying it back into memory. These registers are like variables that the processor uses to do its computations. There are two different types of registers: *accumulators*, and *index registers*.

Accumulators are used to perform most arithmetic operations, like addition, subtraction, or performing logical and bit operations (and, or, invert). Results of such operations often are placed back into a register; for example, an instruction may add something to the "A" register, and place the sum back into that same register. It's for this reason that the name accumulator is appropriate for these register type: they accumulate the results of on-going computations.

Index registers are used to point at data that is located in memory. For example, in the add operation just described, the addend (the number getting "added in" to the sum) might be indexed by the "X" register, meaning that the X register is being used to indicate the address of the data in memory.

Figure 3 shows the "programmer's model" of the registers of the 6811.

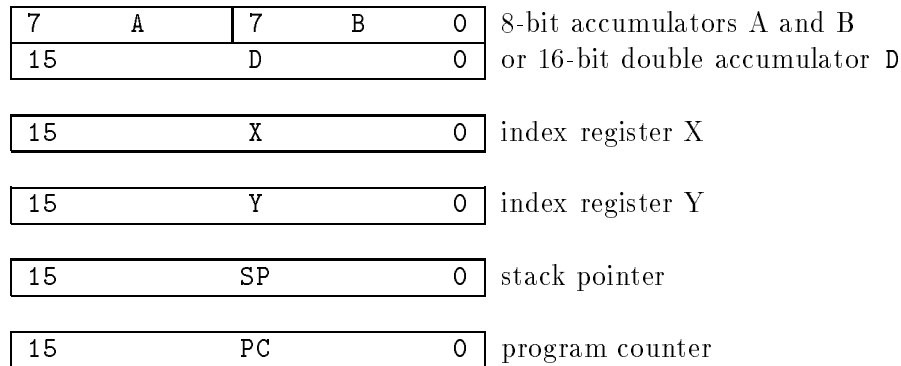


Figure 3: Programmer’s Model of 6811 Registers

The 6811 has two accumulators, labelled A and B. Each are 8-bit registers: they hold one byte of data.

The general-purpose index registers are the X and Y registers. These are 16-bit registers and are most commonly used to address data in memory.

The A and B registers can be used together as a 16-bit arithmetic register, in which case they are named the D register. As indicated in the diagram, the A register forms the “high bits,” or most significant digit, in this mode.

The Stack Pointer, or SP register, is used to store the location of the *program stack*. The stack, which is explained in detail later, is used for temporary storage of data, and to store the return address before a subroutine is called.

The Program Counter, or PC, is used to keep track of the current instruction being executed. The PC is automatically incremented as the microprocessor proceeds through the instruction stream.

3 Programming the 6811

When a microprocessor runs a program, it advances sequentially through memory, fetching and executing one instruction at a time. As mentioned earlier, the PC (program counter) register keeps track of the address of the instruction currently being executed. The microprocessor automatically advances the PC to the next instruction after it is finished executing the current

one.

Let's look at typical instruction: load a number into the A register. The machine code for this instruction is (in hex): `86 nn`, where `nn` is the byte to be loaded into the register. The hex value `86` is called the *operational code*, or *op-code*, that signifies the “load A register” instruction.

Instructions may be one, two, three, or four bytes long, depending on what their function is. When the microprocessor encounters the byte `86` in the instruction stream, it knows, “I’m going to fetch the next byte of data, and load that into my A register.” After the microprocessor evaluates the first byte of an instruction, it knows how many more bytes it needs to fetch to complete the instruction, if it is longer than one byte. Then it executes the next instruction, and so on, ad infinitum.

Instructions take varying numbers of *machine cycles* to execute, depending on their complexity. The 6811 we’re using operates at a frequency of 2 megahertz (Mhz.), meaning that it executes 2,000,000 machine cycles per second. The period of a machine cycle is then 0.5 microseconds (μsec), so an instruction that requires 3 machine cycles will take 1.5 μsec of real time to execute.

In general, longer instructions (those needing two, three, or four bytes) take longer (more machine cycles) to execute, although there are some exceptions to this rule.

3.1 Machine Code vs. Assembly Language

People often speak of *machine code* and *assembly language*. Both of these terms refer to the same thing: the program that is executed directly by the microprocessor.

However, these terms refer to that program in different states of development. Let me explain.

Machine code usually refers to the raw data stored as a microprocessor’s program. This is commonly described in the hexadecimal notation we’ve been using.

Assembly language is a set of *mnemonics*, or names, and a notation that is a readable yet efficient way of writing down the machine instructions. Usually, a program that is written in assembly language is processed by an *assembler program*, that converts the mnemonic instructions into machine

code. This output from the assembler program is often called the *object code*, which can then be executed directly by the microprocessor.

In the 6811 assembly language, the “Load A register” instruction that we discussed earlier is written as follows:

```
LDAA    #$80
```

The word “LDAA” is the assembly language mnemonic for “Load Accumulator A.” Then, the `#$80` is the hexadecimal value to be loaded (I just chose the value `$80` at random).

When a 6811 assembler program processes an input file, it knows the mnemonics for all of the 6811 instructions, plus their corresponding op-codes. It uses this information to create the object code file.

The assembly process is a straight-forward, mechanical operation. Each assembly-language instruction is converted to one machine-language instruction (though that instruction may be one to four bytes in length). Assembler programs have none of the sophistication that high-level language compilers must have.

But, assemblers typically have features to make writing assembly programs easier. These features allow the creation of symbolic labels for constant values or memory addresses, perform arithmetic in binary, decimal, and hex format, and convert character strings to binary values (amongst other functions).

The Motorola 6811 assembler is described in Section 5. Rather than presenting an overview of assembly language all at once, 6811 instructions are introduced throughout this document in a progressive fashion.

3.2 Addressing Modes

In our previous example (`LDAA #$80`), the hex value `$80` is loaded into the A register. This method of loading data into the register is called *immediate addressing*, because the data to be loaded is located “immediately” in the instruction itself. Immediate addressing is commonly used to load a known piece of data into a register.

There are other ways to address data bytes that need to be operated on. These different methods are known as *addressing modes*. Other than the immediate addressing mode, most addressing modes provide ways of accessing data that is stored somewhere in memory.

The *extended addressing mode* is a one way to access data stored in memory. In this mode, the 16-bit address of a memory byte is specified in the instruction. For example, the instruction

```
LDAA    $1004
```

will load the A register with the contents of memory location \$1004. This instruction uses three bytes of memory: one byte is the op-code, and two more bytes are needed to specify the 16-bit memory address.

The *direct addressing mode* is similar to the extended mode, but works only for data stored in the first 256 bytes of the chip's address space, from addresses \$00 to \$FF. This happens to be the chip's RAM, as shown in Figure 2, the 6811 Memory Map. So the direct mode is used to store and load data to the RAM.

In the direct mode, only one byte of address data is required to specify the memory address, since it is known to be in the first 256 bytes of memory. Instructions using direct addressing may require only two bytes: one for the op-code, and one for the address information. They execute in fewer cycles as a result of this savings. The 6811 assembler will automatically choose the direct addressing mode if the address specified is in the range \$00 to \$FF. Extended addressing could also be used to access this portion of memory, but it would rarely be preferable.

The *indexed addressing mode* uses the X or Y register as a pointer into memory. The value contained in the index register is and an offset byte are added to specify the location of the desired memory byte or word.

Let's look at an example to make this clear. Suppose the X register currently has the value \$1000. Then the instruction

```
LDAA    0,X
```

will load the A register with the contents of location \$1000, and the instruction

```
LDAA    5,X
```

will load the A register with the contents of location \$1005.

The offset value is contained in one byte of data, and only positive or zero offsets are allowed. As such, only offsets in the range of 0 to 255 decimal are possible.

Why would a programmer use the indexed addressing mode, when the extended addressing mode will access the desired byte directly? The reason to use the indexed modes, with their associated offset bytes, is when repeatedly accessing locations from a particular region of memory.

For example, the 6811 special register area begins at location \$1000 and ends at location \$103F. Suppose there were a series of instructions that accessed the registers located in this area. We could then set up the X register as a *base pointer*—pointing to the beginning of this area of memory (we'd load the X register with \$1000: `LDX #$1000`). Then, we can use the two-byte indexed instructions to do a series of loads, stores, or whatever to the locations in this region that we were interested in.

This is good programming practice because each indexed instruction saves a byte over the extended instruction. Once the cost is paid of loading the X register with the base address (a three byte instruction), each use of an indexed instruction will save code space and execution time.

Indexed addressing really is most useful when working with arrays of common data structures. Then, one can set up an index register to point at the base of each data structure, and use indexed operations to access individual fields of that data element. To move to the next data element, only the index base pointer needs to be changed, the offsets will then access the subsequent structure.

Finally, there are a few instructions that do not support the extended addressing mode (they support only direct and indexed addressing), so if one must work with a byte not in the direct addressing area, then indexed addressing must be used.

Here is a list of all of the addressing modes that are supported on the 6811 architecture:

Immediate Data is part of the instruction itself. This mode is specified with the use of the prefix “#” before the data byte or word. Example: `LDAA #$80` loads the A register with the hex number \$80.

Direct Data is located in RAM (within addresses \$0000 to \$00FF). One byte is used to specify which RAM location is to be used. Example: `STAA $80` stores the A register to the memory location \$0080.

Extended Location of data is specified by a 16-bit address given in the instruction. Example: `STAA #$1000` stores the contents of the A register

at memory location \$1000.

Indexed Location of data is specified by the sum of a 16-bit index register (register X or Y) and an offset value that is part of the instruction. Example: `LDAA 5,X` loads the A register with the memory byte located at the address that is the sum of the value currently in the X register and 5 (decimal). Offsets range in value from 0 to 255.

Inherent Data is “inherent” to the microprocessor and does not require an external memory address. Example: `TAB` transfers the contents of the A register to the B register. No external memory address is required.

Relative Location is specified by an offset value from the address of the instruction currently being executed. Example: `BRA 5` causes a branch that skips five bytes ahead in the instruction stream. Relative addressing is only used in branching instructions. Offsets range in value from -128 to +127, allowing jumps both forward and backward in the instruction stream.

3.3 Data Types

The 6811 supports a few different “data types,” or ways of representing numbers. Most high-level languages (like C) support many data types, such as integers, floating point numbers, strings, and arrays. In assembly language, a programmer is given only “the bits,” and must build more complex data types with subroutine libraries.

The 6811 has two data types: 8-bit numbers and 16-bit numbers. This means that there are instructions that process numbers of length eight bits (bytes) and there are instructions that process numbers of length sixteen bits (words).

It’s good to keep in mind the range of an eight-bit number versus a sixteen-bit number. An eight-bit number can have 256 different values ($2^8 = 256$), and a sixteen-bit number can have 65536 different values ($2^{16} = 65536$).

3.4 Arithmetic Operations

Microprocessors give the programmer a standard set of arithmetic and logical operations that can be performed upon numeric data.

The 6811 is a particularly nice processor because it provides instructions that work on both eight-bit data values (such as the A or B registers or memory bytes) and sixteen-bit data values (such as the X and Y index registers). Earlier processors provided only eight-bit operations; the programmer had to combine them to get sixteen-bit ones. Also, the multiplication and division instructions are by no means standard amongst 8-bit microprocessors like the 6811.

The 6811 supports the following instructions:

Addition for both 8-bit and 16-bit values.

Subtraction for both 8-bit and 16-bit values.

Multiplication of two 8-bit values to yield a 16-bit result.

Division of two 16-bit values to yield an integer or fractional result.

Increment of both 8-bit and 16-bit values. The increment operation adds one to its operand.

Decrement of both 8-bit and 16-bit values. The decrement operation subtracts one from its operand.

Logical AND for 8-bit values. This instruction performs a bit-wise “and” operation on two pieces of data. The result of an AND operation is 1 if and only if both of its operands are 1. (e.g., %11110010 ANDed with %11000011 yields %11000010.

Logical OR for 8-bit values. This instruction performs a bit-wise “or” operation on two pieces of data. The result of an OR operation is 1 if either or both of its operands is 1.

Logical Exclusive OR for 8-bit values. The result of an exclusive-OR operation (called “EOR”) is 1 if either, but not both, of its inputs are 1.

Arithmetic Shift operations on 8-bit and 16-bit values. The Arithmetic Shift operation moves all the bits in an operand to the left or to the right by one bit position. This is equivalent to a multiplication or division by 2 (respectively) upon the operand.

Rotation operations on 8-bit values. These are similar to the shift operations except that the bit that gets shifted out of the high or low bit position (depending on the direction of the rotate) gets placed in the bit position vacated on the other side of the byte. Example: rotate right (ROR) of %11011001 produces %11101100.

Bitwise Set and Clear operations on 8-bit values. These operations set or clear bits at specified bit positions within an eight-bit data byte.

Clear operations on 8-bit memory bytes or registers. This instruction is equivalent to writing a zero into the memory location or 6811 register, but does so more quickly.

There are a few more arithmetic instructions not mentioned here, but they are relatively obscure.

3.5 Signed and Unsigned Binary Numbers

There are two methods of representing binary numbers that are commonly used by microprocessors. Using these two methods, the same string of 1's and 0's that comprise a byte or word can represent two different numbers, depending on which method is being used.

The two methods are: *unsigned* binary format and *two's-complement signed* binary format.

The unsigned format is used to represent numbers in the range of 0 to 255 (one byte of data) or 0 to 65535 (one word of data). This is the more simple way of representing data; it's easy to understand because there is a direct translation from the binary digits into the actual numeric value. But, the unsigned format has the limitation that values less than zero cannot be represented.

Here are some unsigned binary numbers and their decimal equivalents:

binary	decimal
%0000	0
%0001	1
%0010	2
%0011	3
%0100	4
%0101	5
%0110	6
%10011100	156
%11100011	227
%11111111	255

Signed values are represented using the “two’s complement” binary format. In this format, a byte can represent a value from -128 to $+127$, and a word can represent a number from -32768 to $+32767$.

The highest bit (most significant, or left-most bit) of the number is used to represent the sign. A “0” in the high bit indicates a positive or zero value, and a “1” in the high bit indicates a negative value.

If the number is positive or zero, then the signed representation is exactly equivalent to the unsigned one. For example, the largest binary number representable in a byte, using the signed format is `%01111111`. The leading zero is the sign bit, indicating a non-negative number; the seven ones that follow are the significant digits.

If the number is negative, then the following process determines its value: invert the significant digits (change zero’s to one’s and one’s to zero’s), and add one. Put a minus sign in front of the number, and that is the equivalent value.

For example, let’s figure out the value of the signed number `%10011011`. We know this is a negative number, since its high bit is one. To find its value, we take the significant digits (`%0011011`) and invert them, obtaining `%1100100`. We add one, and obtain `%1100101`. This value converted to decimal is 101; thus, our original number was equal to -101 .

This bizarre method is employed because it has one tremendous property: signed binary numbers can be added together like unsigned ones, and results of standard addition and subtraction processes produce correct signed values.

I won’t go through the proof of this because I don’t know if it is interesting or not. But let’s look at an example, which shows an addition of two signed binary numbers to produce a valid result:

10011011	(-101 decimal)
+ 01110000	(112 decimal)

(1)00001011	(11 decimal)

Ignoring the carry out of the highest bit position, we can see that performing regular binary addition on the two numbers gives us the correct result. This is important, because then the microprocessor doesn't have to implement different types of addition and subtraction instructions to support both the signed and unsigned data representations.

3.6 Condition Code Register and Conditional Branching

Whenever the 6811 performs any type of arithmetic or logical operation, various *condition codes* are generated in addition to the actual result of the operation. These condition codes indicate if the following events happened:

- The result of the operation was zero.
- The result of the operation overflowed the 8- or 16-bit data word that it was supposed to fit in. This condition is based on interpreting the data operands as two's complement values.
- The result was a negative value. Example: subtracting 50 from 10.
- The result generated a *carry* out of the highest bit position. This happens (for example) when two numbers are added and the result is too large to fit into one byte.

There is a special register in the 6811, called the *condition code register*, or CCR, where this information is kept. Each condition is represented by a one-bit *flag* in the CCR; if the flag is 1, then the condition is true. The CCR has eight flags in all; four more in addition to the four mentioned.

Each flag has a name: the zero flag is called Z; the overflow flag is V, the negative flag is N, and the carry flag is C.

The usefulness of these flags is that programs may branch depending on the value of a particular flag or combination of flags. For example, the

following fragment of code will repeatedly decrement the A register until it is zero. This code fragment uses the “branch if not equal to zero” instruction (BNE) to loop until the A register equals zero.

```

Loop   DECA           * decrement A register
       BNE    Loop    * if not zero, jump back to "Loop"
       ...           * program execution continues here
       ...           *   after A is zero

```

An entire set of these conditional branching instructions allows the programmer to test if the result of an operation was equal to zero, not equal to zero, greater than zero, less than zero, etc.

Some of the conditional branching instructions are designed for testing results of two’s complement operations, while others expect to test results of unsigned operations. As mentioned earlier, the same arithmetic operations can be used on both signed and unsigned data. This is true, but the way that one must interpret the condition codes of the result is different. Fortunately, the 6811 branch instructions will perform this interpretation properly, provided the correct instruction is used for the type of data the programmer has in mind.

Here is a list of some of the conditional branching instructions supported by the 6811:

BEQ: Branch if Equal to Zero Branch is made if Z flag 1 (indicating a zero result).

BNE: Branch if Not Equal to zero: Branch is made if Z flag is 0 (indicating a non-zero result).

BCC: Branch if Carry is Clear Branch is made if C flag is 0, indicating that a carry *did not* result from the last operation.

BCS: Branch if Carry is Set Branch is made if C flag is 1, indicating carry occurred.

BLO: Branch if Lower Branch is made if result of subtraction was less than zero. This instruction works correctly when using *unsigned* data.

BGE: Branch if Greater Than or Equal Branch is made if result of subtraction is greater than or equal to zero. This instruction works correctly only when using *unsigned* data.

Other branching instructions work with signed data and check the proper combination of flags to tell if results are greater or less than zero, etc.

One important thing to remember about branching instructions is that they use the *relative addressing mode*, which means that the destination of a branch is specified by a one-byte offset from the location of the branch instruction. As such, branches may only jump forward or backward a maximum of about 128 bytes from the location of the branch instruction.

If it is necessary to branch to a location further away, the JuMP instruction (**JMP**) should be used, which takes an absolute two-byte address for the destination. The destination of a **JMP** instruction thus may be anywhere in memory.

If necessary, use a conditional branch instruction to jump to a **JMP** instruction that jumps to far-away locations.

3.7 Stack Pointer and Subroutine Calls

All microprocessors support a special type of data structure called the *stack*. A stack stores data in a last-in, first-out (LIFO) method.

To visualize the stack, one may imagine a dishwasher who is washing a sink full of dishes. As he washes a dish, he places it on top of a pile of already-washed dishes. When a chef removes dishes from the pile, the dish that she removes is the last dish that the dishwasher placed on the pile. In this way, the stack of dishes stores the dishes using a last-in, first-out algorithm.

The stack on the 6811 works the same way. Instead of a stack of dishes, the 6811 stores bytes in a contiguous area of memory. Instead of a dishwasher and a chef, the 6811 uses a special register, called the *stack pointer* or *SP*, to keep track of the location of the stack in memory.

When a number is placed on the stack (called a *stack push*), the number is stored in memory at the current address of the stack pointer. Then the stack pointer is advanced to the next position in memory.

When a number is taken off the stack (called a *stack pull*), the stack pointer is regressed to the last location stored, and then the number at that memory location is retrieved.

The stack has many different uses. One use is temporary storage of data. Suppose there is a number in the A register to be stored and then retrieved a few instructions later. One could push it on the stack (PSHA) to save it, and later pull it off the stack (PULA) to restore it.

The data in several different registers may be temporarily stored and retrieved in this way. It's important to remember that data goes on and comes off the stack in a particular order. If data is stored with a PSHA and then a PSHB (push A register, push B register), it must be restored with the sequence PULB, PULA (pull B register, pull A register).

The most important use of the stack is involved with *subroutines*. Subroutines are pieces of code that may be “called,” or executed, by your main program. In this way, they are like utility routines that your software uses.

For example, suppose a program often has need to execute a delay, simply waiting $\frac{1}{10}$ of a second. Rather than repeatedly writing the code to perform the delay, it can be written just once, as a subroutine. Then, whenever the main code needs to execute the delay, it can just call the subroutine.

The key thing about executing a subroutine properly is knowing where to return when it finishes. This is where the stack comes in. When a subroutine is called, the 6811 automatically “pushes” the *return address*—the place to continue after the subroutine is done—onto the stack. Then, it branches to begin executing the subroutine.

When the subroutine finishes, the 6811 pulls the return address directly off the stack, and branches to that location.

One may think, “Well, we don't need a stack for this; we could just have one particular location where the return address is stored. We could just look there when returning from a subroutine.”

Actually, that is not a bad solution, but using the stack gives us a special power: it enables *nested subroutine calls*. What happens when a subroutine calls a subroutine? If a stack is being used, the second return address simply gets pushed on top of the first, so that the first return address remains intact. In the other method, the first return address would be overwritten and destroyed when the second subroutine call occurred.

It can be seen that advanced computer science ideas like recursion are based in this principle of a stack.

One detail worth mentioning about the stack's implementation on the 6811 is that the stack builds *downwards* in memory. That is, when a number is pushed on the stack, the stack pointer is actually *decremented* to point to

the next available memory location. This is somewhat counter-intuitive, but it doesn't matter in how the stack functions.

Since the stack is a dynamic structure, it must be located somewhere in 6811 RAM (read/write memory). As shown in Figure 2, the RAM is located from addresses \$0000 to \$00FF. It's customary to initialize the stack at the *top of RAM*—address \$00FF. Then, as the stack grows, it moves downwards towards location \$0000.

A good way to crash the processor is to repeatedly push a value on to the stack and forget to pull it off. If this mistake is made inside a program loop, all of RAM will easily be filled with garbage. When a subroutine attempts to return to its caller, the return address will be nowhere in sight.

Just remember: each stack push must be matched with a stack pull. Each subroutine call must be matched with a return from subroutine. And don't try to execute too many nested subroutine calls, since the 6811 has only 256 bytes of RAM for stack space.

3.8 Interrupts and Interrupt Routines

Interrupt routines are a type of subroutine that gets executed when special events happen. These special events are often called *interrupts*, and they may be generated by a variety of sources. Examples of things that may generate interrupts are: a byte coming in over the serial line, a programmable timer triggering, or a sensor line changing state.

When an interrupt happens, the 6811 stops what it is doing, saves its local state (the contents of all registers), and processes the interrupt. Each interrupt has code associated with it; it is this code that is executed when the interrupt occurs.

Interrupts may be used to give the appearance that the 6811 is doing several things at once. There are a several reasons for this:

- The main code doesn't have to know when an interrupt occurs. This is because after the interrupt finishes, control is returned to the main code exactly where it left off. No information is lost.
- The interrupt servicing process is automatic. In this way, it's different from a subroutine call, which must be explicitly done each time it is required.

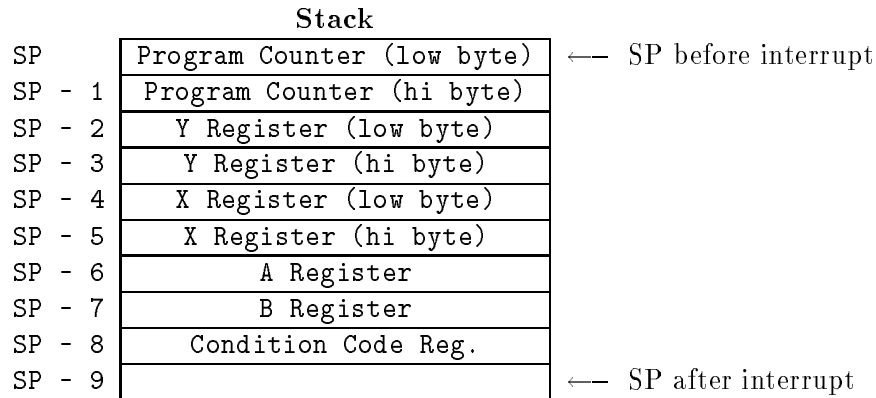


Figure 4: Diagram of Stack After an Interrupt Call

- Many interrupts can be enabled at the same time. Whenever they occur, they are serviced. Many “background jobs” can be taken care of independently of each other.

If multiple interrupts are being used, it is possible for an interrupt to occur *during the servicing* of a different interrupt routine. Typically, interrupting an interrupt routine is not a good idea. The 6811 deals with this nested interrupt condition by queuing up the interrupts and processing them sequentially, based on a predetermined interrupt priority scheme.

In their usage of the stack, interrupts are implemented quite like subroutines. When an interrupt call is processed, however, the state of *all* of the 6811 registers is saved on the stack, not just the return address. This way, when the interrupt routine returns, the processor can continue executing the main code in exactly the same state that it left it.

Figure 4 shows the configuration of the stack immediately after an interrupt call.

Interrupt Vectors When an interrupt occurs, the 6811 must know where the code associated with that interrupt is located. An *interrupt vector* points to the starting address of the code associated with each interrupt. When an interrupt occurs, the 6811 first finds its associated interrupt vector, then jumps to the address specified by the vector.

These interrupt vectors are “mapped” into specific areas of system memory. In the 6811 architecture, the interrupt vectors are located *at the top of the EEPROM*. This area, reserved for the interrupt vectors only, starts at address \$FFC0 and continues to the end of EEPROM, address \$FFFF. Two bytes are needed for each interrupt vector; thus it may be calculated that the 6811 has $(\$FFFF - \$FFC0 + 1) \div 2$ total interrupt vectors. (This is 32 decimal.)

The location of each interrupt vector is predetermined. For example, the RESET interrupt is generated when the system reset button is pressed. The RESET vector is located at addresses \$FFFE and \$FFFF, the very last two bytes of EEPROM. When the reset button is pressed, the 6811 jumps to the location specified by the pointer contained in those two bytes. Since pressing reset should restart the microprocessor, the reset vector usually points to the start of the main code.

Figure 5 shows a map of the memory space from locations \$FFC0 to \$FFFF and the interrupt vectors associated with each location. Please refer to it later, when we discuss the purpose of some of the vectors that are listed here.

4 Architecture of the 6811

The 6811 chip includes many features that often must be implemented with hardware external to the microprocessor itself. Some of these features include:

- serial line input and output
- analog to digital converters
- programmable timers
- counters

This section explains how to use these advanced features of the 6811.

Address	Purpose
\$FFC0	reserved
\$FFC2	reserved
\$FFC4	reserved
\$FFC6	reserved
\$FFC8	reserved
\$FFCA	reserved
\$FFCC	reserved
\$FFCE	reserved
\$FFD0	reserved
\$FFD2	reserved
\$FFD4	reserved
\$FFD6	SCI serial system
\$FFD8	SPI serial transfer complete
\$FFDA	Pulse Accumulator Input Edge
\$FFDC	Pulse Accumulator Overflow
\$FFDE	Timer Overflow
\$FFE0	Timer Input Capture 4/Output Compare 5 (TI4O5)
\$FFE2	Timer Output Compare 4 (TOC4)
\$FFE4	Timer Output Compare 3 (TOC3)
\$FFE6	Timer Output Compare 2 (TOC2)
\$FFE8	Timer Output Compare 1 (TOC1)
\$FFEA	Timer Input Capture 3 (TIC3)
\$FFEC	Timer Input Capture 2 (TIC2)
\$FFEE	Timer Input Capture 1 (TIC1)
\$FFF0	Real Time Interrupt (RTI)
\$FFF2	/IRQ (external pin or parallel I/O) (IRQ)
\$FFF4	/XIRQ (pseudo non-maskable interrupt) (XIRQ)
\$FFF6	Software Interrupt (SWI)
\$FFF8	Illegal Opcode Trap
\$FFFA	COP failure
\$FFFC	COP clock monitor fail
\$FFFE	system reset (RESET)

Figure 5: Table of 6811 Interrupt Vector Locations

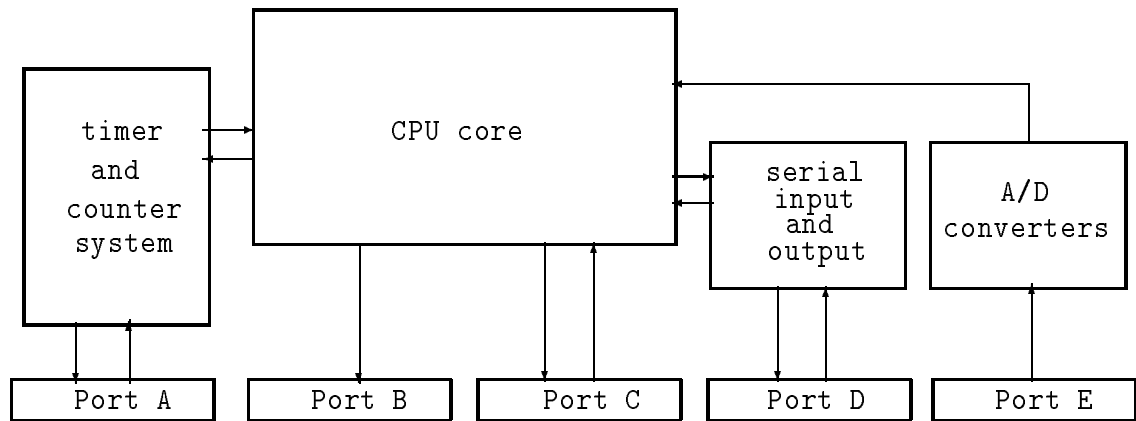


Figure 6: Simplified Block Diagram of 6811

4.1 Register Block

The 6811 uses a particular area of memory to interface with the special functions. This area of memory is called the *register block*, and is located from addresses \$1000 to \$103F.

The general method of controlling the various features of the chip is by reading and writing data to the different registers in the register block. Since the register block is mapped into memory, the typical 6811 instructions for reading and writing data to any area of memory are used into interact with these registers.

4.2 Block Diagram of 6811

Figure 6 shows a simplified block diagram of the 6811 architecture. A more complete block diagram may be found in the green booklet, *Motorola 6811 Programming Reference Guide*.

When scanning the diagram, notice that some of the ports have arrows running in both directions (ports A, C, and D). These ports are *bidirectional*, meaning that they can be used for either input or output.

Each port contains eight data bits, making it equivalent to one byte of

data. *Each data bit is mapped to a physical pin on the microprocessor package.* This means that when data is written to a particular output port, *that data appears as voltage levels on the real pins connected to that port.* In this way, the 6811 can interface with external devices, such as the motor chips, or off-board sensor devices.

In many cases, ports may contain a mixture of pins used for either input or output. In other cases, particular pins in a port are dedicated to a specific function.

Following is a brief description of each port on the diagram. The rest of this section explains how to use each port in detail.

Port A. This is a digital, bidirectional port that implements special timer and counter circuitry. The timers can be used to generate waveforms of varying frequencies; the counters can be used to count certain events (like rising edges of signal) on the input lines.

Port B. This is a digital port that may be used for output only. In the Mini Board design, this port is used to control the motors.

Port C. This is a digital, bidirectional port. In the Mini Board design, this port is used for input or output. Its default state is for input (thus it is a digital sensor port).

Port D. This is a bidirectional port dedicated to serial input and output functions. Two of the Port D pins are used in the Mini Board board design for communications with a host computer. The other four pins can be used to implement a high speed link with another Mini Board.

Port E. This is the analog input port. In the Mini Board design, these eight pins are wired to a connector port.

The following section begins the in-depth explanation of these ports with Port B, the motor output port.

4.3 Motor Port

Port B, the motor output port, is controlled by a register located at address \$1004. In the 6811 literature, this register is named `PORTB`.

Port B is implemented as eight output pins on the 6811. In the Mini Board, these pins are wired to the inputs of the two L293 motor driver chips. When particular Port B pins are “high” (a “1” bit has been written to them), the L293 inputs are high, and the L293 chip turns on its corresponding outputs. These in turn may supply power to any motors or other actuators connected to the L293.

The upper four bits of Port B control the “enable” input for each of the four motor driver channels. The lower four bits of Port B determine the direction that each of these motor channels will operate when they are enabled.

The following two instructions write the value %00010000 at the Port B register location, \$1004, thereby turning on Motor One’s driver circuit. If motor were plugged into the Motor One port, that motor would be turned on by this action.

```
LDAA    #%00010000
STAA    $1004      * store A at "PORTB" location
```

The following piece of code reverses the direction of that same motor:

```
LDAA    #%00010001 * load a "1" into bit 1 of A reg.
STAA    $1004      * store A at "PORTB" location
```

Notice the difference in the value loaded into the A register.

4.4 Digital Sensor Port

Port C is used as the digital sensors’ input port. Actually, this port may be configured as an output port and used in a similar fashion to Port B using the DDRC (data direction for Port C) register, as detailed in the Motorola literature.

Port C is controlled by reading the value of the location \$1003. Whatever input signals that are present on the Port C lines are then “latched” into Port C during the read operation.

The Port C register is referred to by the name PORTC.

The following code sample reads the digital inputs from Port C, and branches to the routine called AllZero if the input from Port C is zero.

```
LDAA    $1003      * load Port C value into A
BEQ     AllZero    * if zero, branch
```



Figure 7: Diagram of ADCTL Register

4.5 Analog Input Port

Port E is the analog input port. This port is controlled by several registers, and may be configured in a few different ways.

In order to use the analog-to-digital (A/D) converter, the A/D system must first be powered-up (its default state is off).

The System Configuration Options register (`OPTION`) is used to turn on the A/D system. Bit 7 of this register must be set to “1” in order to turn on the A/D system:

```
LDAA    #%10000000    * bit 7 set to 1
STAA    $1039         * location of OPTION register
```

The A/D system is actually configured as two banks of four channels each. In one of its operating modes, it repeatedly samples values from *either* of these four-channel banks.

In another operating mode, the A/D system will repeatedly sample *only one of the eight input channels*. Because sampling takes a finite amount of time (about 17 μ sec), this is a useful mode if one wants to look at one channel very closely.

The A/D Control Status Register (`ADCTL`) is used to select these different modes. Figure 7 is a pictorial of the `ADCTL` register.

Bit 7 of the `ADCTL` register, `CCF`, is the Conversions Complete Flag. It is set to “1” when the A/D system has finished converting a set of four values. It is important to wait for this flag to be set only when the *the mode is changed* of the A/D system. Then, the `CCF` will be set to zero, and one should explicitly wait for it to turn to one before trusting the converted values.

Bit 5 is `SCAN`, the Continuous Scan Control. If this bit is set to one, the A/D system will repeatedly convert values. If it is set to zero, the A/D will convert four values and stop. For typical usage, it is probably simpler to set it to one and expect the A/D system to continuously convert values.

CD	CC	CB	CA	Channel Signal	Result in ADR _x if MULT = 1
0	0	0	0	AD0 port E bit 0	ADR1
0	0	0	1	AD1 port E bit 1	ADR2
0	0	1	0	AD2 port E bit 2	ADR3
0	0	1	1	AD3 port E bit 3	ADR4
0	1	0	0	AD4 port E bit 4	ADR1
0	1	0	1	AD5 port E bit 5	ADR2
0	1	1	0	AD6 port E bit 6	ADR3
0	1	1	1	AD7 port E bit 7	ADR4

Figure 8: Settings of A/D Channel Select Bits

Bit 4 is MULT, the Multiple Channel/Single Channel Control. If this bit is set to one, the A/D will convert *banks of four channels*. If it is set to zero, the A/D will convert *one channel only*.

Bits 3 to 0 select the channel(s) to be converted. The results of the A/D conversion appear in four other registers, called ADR1, ADR2, ADR3, and ADR4.

Figure 8 is a table that maps the settings of the channel select bits to the readings that appear in the ADR_x registers when MULT equals one. If MULT is zero, then the channel select bits select the channel that gets converted into all four ADR_x registers.

ADCTL is located at address \$1030; ADR1 through ADR4 are located at addresses \$1031 through \$1034.

4.6 Timers and Counters

Port A implements a complex set of timer and counter hardware. This section will introduce some of the hardware features; for a more complete description of the timer/counter system, refer to the pink book, *The Motorola M68HC11 Reference Manual*.

Timers There are five output timers. Each of these has independent configuration settings.

Each timer may be programmed to take an action on its output pin when

a period of time elapses. Four possible actions may be taken: do nothing, set the output high, set the output low, toggle (invert) the output value.

Each timer may be programmed to generate an interrupt when its time period elapses. Typically, the interrupt is used to set up the timer again for its next cycle.

There is a single 16-bit free-running counter (called TCNT) that the timers use to measure elapsed time. Each timer has its own 16-bit *output compare register* that it compares against TCNT. When the value of TCNT matches the value in a timer's output compare register, then the timer takes its programmed action (changing its output state, and/or generating an interrupt).

A typical way to generate a square wave on a timer output is to write a delay value into the timer's output compare register. The period of the square wave is determined by the length of time that TCNT must count in order to match the timer's output compare register. By writing new values into the output compare register, the timer can be set up to wait until TCNT advances to match it.

The following code uses timer 4 to generate a square wave. The square wave is interrupt-driven: each time that TCNT advances to match timer 4's output compare register, the interrupt routine writes a new value into the output compare register, setting up the timer for another half-wave cycle.

The `SetUp` portion of the code enables timer 4's interrupt, and sets up the timer for a toggle each time the compare matches. Assume that the interrupt vector for the timer points to the routine `Tim4Int`. This routine reads the value in the timer's output compare register, and adds the value 1000 decimal to it. This way, TCNT will have to run for another 1000 counts before the timer toggles its output again. The default speed for TCNT is 500 nanoseconds per count, so the half-wave period of the resulting square wave will be $500 \text{ ns} \times 1000$, which is 0.5 milliseconds. The full square wave would have a period of 1 msec, or a frequency of 1000 Hz.

```

SetUp  LDAA    #%00000100    * timer 4 for toggle setting
       STAA    $1020        * Timer Control Register 1 (TCTL1)
       LDAA    #%00010000    * timer 4 select bit
       STAA    $1023        * Timer Interrupt Flag enable (TFLG1)
       STAA    $1022        * Timer Interrupt Mask enable (TMSK1)

Loop   BRA     Loop         * do nothing; interrupt takes over

```



Figure 9: Diagram of TMSK2 Register

```

...
...
Tim4Int LDD    #1000    * load D register with 1/2 wave time
          ADDD    $101C  * add to Timer 4 output compare
          STD     $101C  * save sum back for next edge
          LDX     $$1000 * use X as base ptr
          BCLR   $23,X $EF * clears interrupt flag (TFLG1)
          RTI                      * ReTurn from Interrupt

```

Counters Port A also has three “input-capture” registers. These registers may trigger when any of the following events happen: capture disabled, capture on rising edges only, capture on falling edges only, or capture any edge.

These registers may be used to time the length of a waveform.

Finally, one bit of Port A can be use for a “pulse accumulator” function. An eight-bit register PACNT can be configured to automatically count pulses on this input pin.

4.7 Real Time Interrupt

The 6811 also has a real time interrupt (RTI) function. This function generates interrupts at a fixed periodic rate. This function would be useful, for example, in generating a pulse-width modulated control of the motor output lines.

The RTI function can generate interrupts at any of four rates: 4.10 ms, 8.19 ms, 16.38 ms, and 32.77 ms.

TMSK2, the Miscellaneous Timer Interrupt Mask, is used to control the RTI system (located at address \$1024). Figure 9 is a diagram of this register.

The RTII bit enables the RTI system when it is set to one.

Two bits in the PACTL, the Pulse Accumulator Control Register, are used to control the rate of the RTI interrupts. The following table shows the relationship of the RTR1 and RTR0 bits to the interrupt rate.

RTR1	RTR0	Interrupt Rate
0	0	4.10 msec
0	1	8.19 msec
1	0	16.38 msec
1	1	32.77 msec

The PACTL register is located at address \$1026. RTR1 and RTR0 are the one and zero bits, respectively, of this register.

See the *M68HC11 Reference Manual* for more details on the RTI system.

4.8 Serial Interface

The serial interface port is controlled by five different registers. Of these, the following three are most important:

SCI Baud Rate Control Register called BAUD. This register controls the baud rate (speed) of the serial port. Location: \$1028.

SCI Data Register called SCDR. This register is used to receive and transmit the actual serial data. Location: \$102F.

SCI Status Register called SCSR. This register provides status information that indicates when transmissions are complete, and errors in transmissions.

The following code sample initializes the serial port for transmission and reception of 9600 baud serial data:

```
LDX    #$1000          * used as index register
BCLR   SPCR,X #PORTD_WOM * turn off wired-or mode
LDAA   #BAUD9600      * mask for 9600 baud speed
STAA   BAUD,X         * stored into BAUD register
LDAA   #TRENA         * mask for Transmit,Rec. enable
STAA   SCCR2,X       * store in control register
```

The following code transmits a character and waits for it to finish transmission:

```
LDY    #$1000          * used as index reg
STAA   SCDR,Y         * store A reg in SCDR
WCLoop BRCLR  SCSR,Y TDRE WCLoop * wait until data sent
```

The following code receives a character from the serial port:

```
LDX    #$1000          * used as index reg.
RCLoop BRCLR  SCSR,X RDRF RCLoop * wait until char ready
LDAA   SCDR,X         * input character to A
```

See the *M68HC11 Reference Manual* for more details on the SCI serial system.

5 6811 Assemblers

The Motorola assembler is named AS11. It is available from Motorola's free bulletin board service at (512) 891-3733. It is also available over Internet via anonymous FTP to `cherupakha.media.mit.edu`.

5.1 Labels

The assembler has a facility to generate symbolic labels during assembly. This lets one refer to the location of an instruction using a label rather than by knowing its exact address.

The assembler does this by using a two-step assembly process. In the first step, the lengths of all instructions is determined so that the labels may be assigned. In the second step, instructions that used other labels have their values filled in since those labels are now known.

Here is an example of a program that uses a symbolic label:

```
Loop    LDAA    #$FF    * load A with 255
        DECA                    * decrement A register
        BNE    Loop    * branch to Loop if not zero
```

Labels must begin in the first character position of a new line and may optionally end in a colon (:).

5.2 Arithmetic Expressions

The assembler supports the following arithmetic operations, which may be used to form values of labels or instruction arguments:

- + addition
- subtraction
- * multiplication
- / division
- % remainder after division
- & bitwise AND
- | bitwise OR
- ^ bitwise Exclusive-OR

Expressions are evaluated left to right and there is no provision for parenthesized expressions.

Constants are constructed with the following syntax:

- ' followed by ASCII character
- \$ followed by hexadecimal constant
- % followed by binary constant

5.3 Assembler Pseudo-Operations

An assembler program typically has its own set of commands, called *pseudo-operations* or *pseudo-ops*, used to direct the assembly process. These pseudo-ops seem like real 6811 instructions, but they are interpreted as control information to the assembler rather than assembled into machine code.

ORG The **ORG** pseudo-op, for ORiGin, specifies the location for the assembler to deposit the machine code (or object code). In 6811 programming, all code should be preceded by the following **ORG** command:

```
ORG      $F800      * start of EEPROM
```

Observe the following sequence in the RM-11 Monitor program:

```
ORG      $F800      * start of EEPROM
Start    LDS      #$FF      * Initialize Stack Pointer
*                               to top of RAM
```

EQU The **EQU** pseudo-op is used to **EQU**ate a symbolic label to a numeric value. Equates are useful so that one does not have to memorize the locations of various 6811 control registers; if the registers names are equated to their locations at the beginning of the code, then one can simply use the labels in programming.

The following excerpt illustrates correct usage of the **EQU** pseudo-op to specify some of the 6811 register locations:

```
PORTA    EQU      $1000    * Port A data register
RESV1    EQU      $1001    * Reserved
PIOC     EQU      $1002    * Parallel I/O Control register
```

```
PORTC EQU $1003 * Port C latched data register
PORTB EQU $1004 * Port B data register
PORTCL EQU $1005 *
```

In coding, the programmer may then use the label name rather than the numeric value:

```
LDAA PORTB * equiv. to LDAA $1004
```

FCC The FCC, “Form Constant Character” pseudo-op, deposits a text string into the object code. This is used to store messages in the EEPROM that later can be printed back by the program.

The following excerpt illustrates usage of the FCC pseudo-op:

```
FCC 'Entering repeat mode.'
```

FCB and FDB The FCB, “form constant byte,” and FDB, “form double byte” pseudo-ops deposit a single byte or word into the object code. They are used to insert data that is not part of a 6811 instruction.

Example:

```
FDB $1013
FCB $FF
```

RMB The RMB “reserve memory block” pseudo-op takes an argument and skips that many bytes ahead in the stream of output. It’s used to leave a gap in the object code that will later be filled in by the program while it’s running.

```
RMB 10 * reserve 10 bytes
```

5.4 Comments

A comment is:

- any text after all operands for a given mnemonic have been processed;
- a line beginning with * up to the end of line;

- an empty line.

The `*` is a special character that can also mean “the address of the current instruction.” Thus, the following sequence will create an infinite loop:

```
BRA    *    <-- branch to this instruction
```

5.5 IBM Assembler Specifics

The IBM-compatible assembler is called `AS11`. It is invoked by using the name of the file to be assembled (which typically has the filename suffix `.ASM`):

```
AS11 FOO.ASM
```

This will produce a listing of error messages to the screen, and the output file `FOO.S19`. The “`.S19`” suffix indicates the object code file that can be downloaded to the 6811.

The assembler can be directed to produce an output listing that shows the object code that is created for each instruction. The following invocation will tell the assembler to create a listing file called `FOO.LIS`:

```
AS11 FOO.ASM -L > FOO.LIS
```

The downloader is named `DLM`. The following invocation will tell the downloader to download the file named `FOO.S19`:

```
DLM FOO.S19
```

To round out the IBM tools, a text editor (to create the `.ASM` file) and a terminal emulator program (to interact with 6811 programs) will be necessary. `FREEMACS`, a public domain version of the popular Emacs text editor that is free, and `PROCOMM`, and excellent shareware terminal emulator program, are recommended.

Contents

1	Bits and Bytes	1
2	Introduction to the 6811	4
2.1	Memory Map	4
2.2	Registers	6
3	Programming the 6811	7
3.1	Machine Code vs. Assembly Language	8
3.2	Addressing Modes	9
3.3	Data Types	12
3.4	Arithmetic Operations	12
3.5	Signed and Unsigned Binary Numbers	14
3.6	Condition Code Register and Conditional Branching	16
3.7	Stack Pointer and Subroutine Calls	18
3.8	Interrupts and Interrupt Routines	20
4	Architecture of the 6811	22
4.1	Register Block	24
4.2	Block Diagram of 6811	24
4.3	Motor Port	25
4.4	Digital Sensor Port	26
4.5	Analog Input Port	27
4.6	Timers and Counters	28
4.7	Real Time Interrupt	30
4.8	Serial Interface	31
5	6811 Assemblers	33
5.1	Labels	33
5.2	Arithmetic Expressions	33
5.3	Assembler Pseudo-Operations	34
5.4	Comments	35
5.5	IBM Assembler Specifics	36